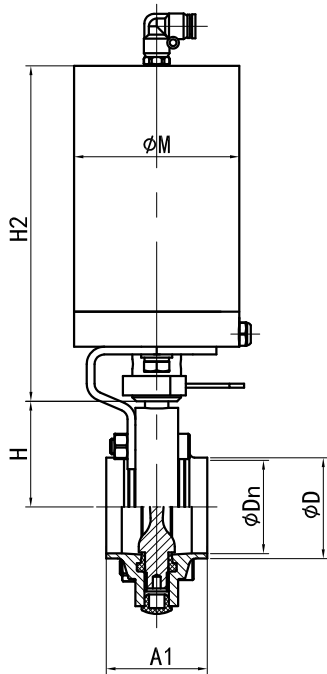
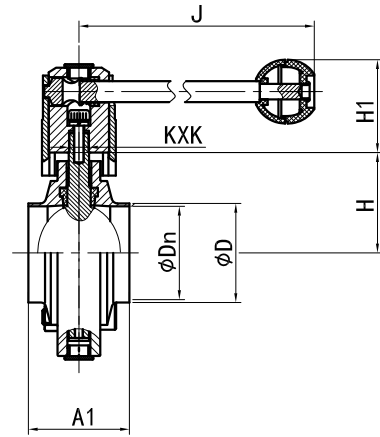


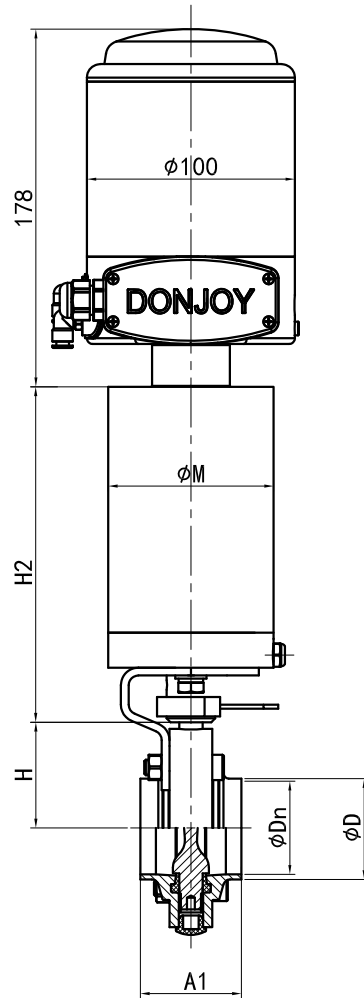
气动蝶阀不带执行器
NO. VDF100XX



不锈钢气动蝶阀
NO. VDF100Q1



拉式手柄蝶阀
NO. VDF100S1



带智能头气动蝶阀
NO. VDF101Q1

蝶阀 (DIN)

SIZE	Dn	D1	J	H	H1	H2	M	A1	H3	H4	D2(单作用)	安装孔
DN10	10	13	126	40	43.5	172.5	86	50	68.4	12.6	11	F04-F05
DN15	15	18	126	40	43.5	172.5	86	50	68.4	12.6	11	F04-F05
DN20	19	22	126	40	43.5	172.5	86	50	68.4	12.6	11	F04-F05
DN25	25	28	126	40	43.5	172.5	86	50	69	12	11	F04-F05
DN32	31	34	126	44.5	43.5	172.5	86	50	73.5	12.1	11	F04-F05
DN40	37	40	126	46.5	43.5	172.5	86	50	73.5	14	14	F04-F05
DN50	49	52	133	54.5	47.5	172.5	86	52	82.9	12.8	14	F04-F05
DN65	66	70	144	64	47.5	172.5	86	56	90.6	14	14	F04-F05
DN80	81	85	160	70.5	50	172.5	86	60	100	14.6	14	F04-F05
DN100	100	104	160	81	50	172.5	86	64	109.7	19	17	F04-F05
DN125	125	129	220	94.5	52.5	248	113	80	158.6	19	17	F07
DN150	150	154	220	110	52.5	285	133	90	174	19	17	F07
DN200	200	204	360	145	52.5	306	166	90	208	20	22	F07
DN250	250	254	360	174	52.5	306	166	90	236.7	20	22	F07
DN300	300	304	360	174	52.5	306	166	90	236.7	20	22	F07

蝶阀 (INCH)

SIZE	Dn	D1	J	H	H1	H2	M	A1	H3	H4	D2(单作用)	安装孔
1/2"	9.7	12.7	126	40	43.5	172.5	86	50	68.5	12.5	11	F04-F05
3/4"	16.1	19.1	126	40	43.5	172.5	86	50	68.5	12.5	11	F04-F05
1"	22.4	25.4	126	40	43.5	172.5	86	50	68.4	13	11	F04-F05
1 1/4"	28.8	31.8	126	40	43.5	172.5	86	50	69.4	11.5	11	F04-F05
1 1/2"	35.1	38.1	126	44.5	43.5	172.5	86	50	73.3	11.6	14	F04-F05
ø45	41	45	126	46.5	43.5	172.5	86	50	73.3	11.6	14	F04-F05
ø48	45	48	126	48.5	43.5	172.5	86	52	73.3	11.6	14	F04-F05
2"	47.8	50.8	133	52.5	47.5	172.5	86	52	81.1	13.9	14	F04-F05
ø57	53	57	144	54	47.5	172.5	86	52	87.5	12.5	14	F04-F05
2 1/2"	59.5	63.5	144	59	47.5	172.5	86	56	87.5	12.5	14	F04-F05
3"	72.2	76.2	144	65.5	47.5	172.5	86	56	95.3	11.5	14	F04-F05
3.5"	85	89	144	72	50	172.5	86	60	99.4	15.5	14	F04-F05
4"小	97.6	101.6	144	79	50	172.5	86	64	109.7	17.5	17	F04-F05
4"大	97.6	101.6	160	81	50	172.5	86	64	111.5	15.7	17	F04-F05
108	104	108	160	82.5	50	172.5	86	64	111.5	15.7	17	F04-F05
114.3	110.3	114.3	160	82.5	52.5	248	113	80	111.5	15.7	17	F04-F05
133	127	133	220	94.5	52.5	248	113	80	158.6	19	17	F07
6"	146.8	152.8	220	110	52.5	285	133	90	174	19	17	F07
159	153	159	220	110	52.5	285	133	90	174	19	17	F07
8"	197.6	203.2	360	145	52.5	306	166	90	208	20	22	F07
219	211	219	360	145	52.5	306	166	90	208	20	22	F07
10"	247.2	254	360	174	52.5	306	166	90	236.7	20	22	F07
12"	298.2	305	360	174	52.5	306	166	90	236.7	20	22	F07